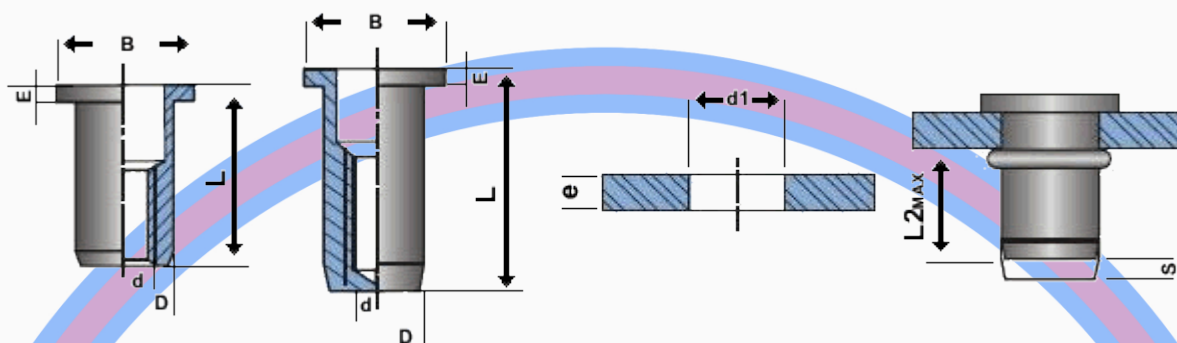




RIVKLE® CLÁSSICO CABEÇA PLANA



Métrico													
d	B	D	E	d1 +0.1	e	S	Aberto			Fechado			
							REF	L	L2max	REF	L	L2max	
M3	7,5	5	1,0	5	0,25-1,5	1,3-2,5	RK3PO150	8,5	4,8	RK3PB150	12,5	8,8	
	7,5	5	1,0	5	1,5-3,0	1,3-2,5	RK3PO300	10,0	4,8	RK3PB300	14,0	8,8	
M4	9,0	6	1,0	6	0,25-2,0	1,7-3,8	RK4PO200	10,0	5,4	RK4PB200	15,0	10,4	
	9,0	6	1,0	6	2,0-4,0	1,7-3,8	RK4PO400	12,0	5,4	RK4PB400	17,0	10,4	
M5	10,0	7	1,0	7	0,25-3,0	2,5-5,5	RK5PO300	14,0	8,0	RK5PB300	20,0	13,0	
	10,0	7	1,0	7	3,0-5,5	2,5-5,5	RK5PO550	17,0	8,0	RK5PB550	23,0	13,0	
M6	13,0	9	1,5	9	0,5-3,0	2,2-4,7	RK6PO300	16,0	10,0	RK6PB300	23,0	17,0	
	13,0	9	1,5	9	3,0-5,5	2,2-4,7	RK6PO550	19,0	10,0	RK6PB550	26,0	17,0	
M8	16,0	11	1,5	11	0,5-3,0	3,0-5,5	RK8PO300	18,0	11,0	RK8PB300	26,0	19,0	
	16,0	11	1,5	11	3,0-5,5	3,0-5,5	RK8PO550	21,0	11,0	RK8PB550	29,0	19,0	
M10	19,0	13	2,0	13	1,0-3,5	3,3-5,8	RK10PO350	23,0	15,0	RK10PB350	33,0	25,0	
	19,0	13	2,0	13	3,5-6,0	3,3-5,8	RK10PO600	26,0	15,0	RK10PB600	36,0	25,0	

Pois comerás do trabalho das tuas mãos, feliz serás, e te irá bem. SI 128:2